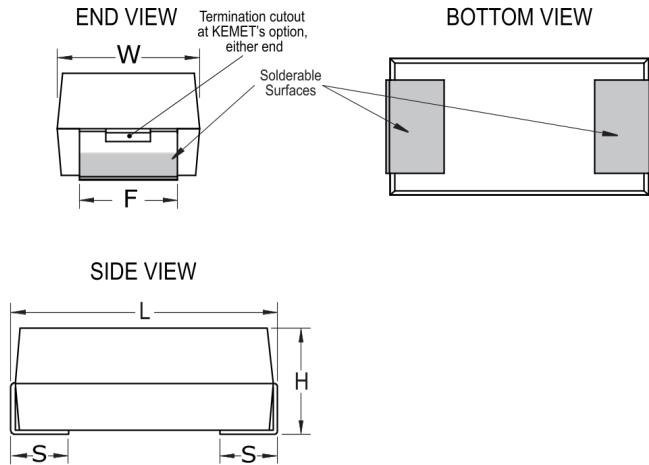


## T493C106K025CT6120

T493 HRA, Tantalum, MnO2 Tantalum, HRA, 10 uF, 10%, 25 VDC, SMD, MnO2, Molded, DLA Drawing, C (0.01%/1000 Hrs), 500 mOhms, 6032, Height Max = 2.8mm



Click [here](#) for the 3D model.

Dimensions	
Footprint	6032
L	6mm +/-0.3mm
W	3.2mm +/-0.3mm
H	2.5mm +/-0.3mm
S	1.3mm +/-0.3mm
F	2.2mm +/-0.1mm

Packaging Specifications	
Packaging	T&R, 178mm
Packaging Quantity	500

General Information	
Series	T493 HRA
Dielectric	MnO2 Tantalum
Style	SMD Chip
Description	SMD, MnO2, Molded, DLA Drawing
RoHS	Yes
Termination	Tin
AEC-Q200	No
Component Weight	224.2 mg

Specifications	
Capacitance	10 uF
Capacitance Tolerance	10%
Voltage DC	25 VDC (85C), 16.75 VDC (125C)
Temperature Range	-55/+125°C
Rated Temperature	85°C
Dissipation Factor	6% 120Hz 25C
Failure Rate	C (0.01%/1000 Hrs)
Resistance	0.5 Ohms (100kHz 25C)
Ripple Current	469 mA (rms, 100kHz 25C)
Leakage Current	2.5 uA (5min 25°C)
Testing and Reliability	Standard Testing Only